



VGA GPS Chartplotter Controller

Model: HGP-2800 MKII Series



Connect to VGA CRT&LCD

C-MAP&Built-in Chart

Easy-to-operate

◆ Three chart systems

Three chart systems(C-MAP/Built-in/External) are available. The most suitable chart are selected by the user. Lots of information such as buoys, lighthouses, wrecks and tides are provided.

◆ High speed zoom-in & zoom-out

A super fast processor is built in. The HGP-2800 MKII zoom faster than any other Chartplotter.

◆ XD

XD card is available for the back-up of user data (WPTs, marks, routes, tracks, etc), upgrade of new software and new chart.

◆ USB supporting

USB supports. The fast real time upgrade of new software/chart and data back-up with a PC are available.

◆ Display

Connects to any VGA/Super VGA CRT and LCD display for extreme flexibility of installation. The size of the display is selectable from small to big for user's taste or the space of the vessel.

◆ Multi-language

English, Spanish, Vietnamese, Chinese, Italian, Greek, Thai, Arabic, Taiwanese, Indonesian, Indian, Turkish, Persian, etc.

◆ Remote controller

Operation with the wire/wireless remote controller. The remote controller has lights for viewing at night, the soft rubber touch pad and waterproof in case of a rain or wet hand.

◆ Easy operation

Useful functions (mark, WPT, track) have quick and easy-to-use buttons on the remote controller. Going into the menu to operate common functions is unnecessary.



103-903 Bucheon Technopark 364 Samcheongdong Ojeonggu

Bucheon Gyeonggi, Korea

TEL : +82 2 324 0381

FAX : +82 32 327 4713

Web-site : <http://www.haiyang.co.kr>

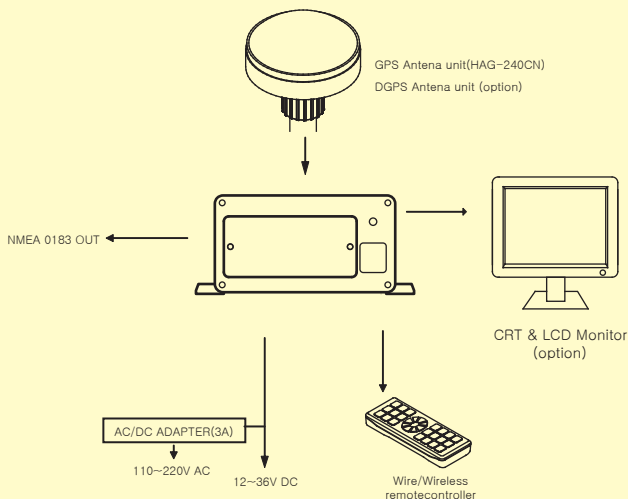
GENERAL SPECIFICATION

1. Display
High resolution VGA CRT and LCD
2. Display resolution
640X480 pixels
3. Monitor
Optional accessory
4. Power supply
12~36V DC ($\pm 10\%$)
5. Power consumption
5W (only controller)
6. Operation
Wire/Wireless remote controller
7. Operating temperature
 $-15^{\circ}\text{C}\sim+50^{\circ}\text{C}$
8. Back-up: XD picture card

CHARTPLOTTER SPECIFICATION

1. Display Method Mercado Projection
2. Display Mode
True motion / North up / Course up / Head up
3. Latitude Limits Between 85° N to 85° S
4. Map Scale 0.05nm to 500nm
5. Map Datum WGS-84
6. Waypoint 5,000 points
7. Event Mark 10,000 points
*Total of 16 colors and 16 icons are selectable each point with name tag (8 alphanumeric characters)
8. Track Point 50,000 points
9. Route Max capacity 100 Routes
*20 WPTs per each Route. Each with name tags (8 alphanumeric characters)
10. Draw Point 1,000 points
11. Area Name 1,000 points
12. Chart Data Built-in chart/C-MAP MAX/External chart(XD)
13. Output Data NMEA-0183
14. Input Data NMEA-0183
15. Alarm Arrival, Anchor, Off course, Interval timer

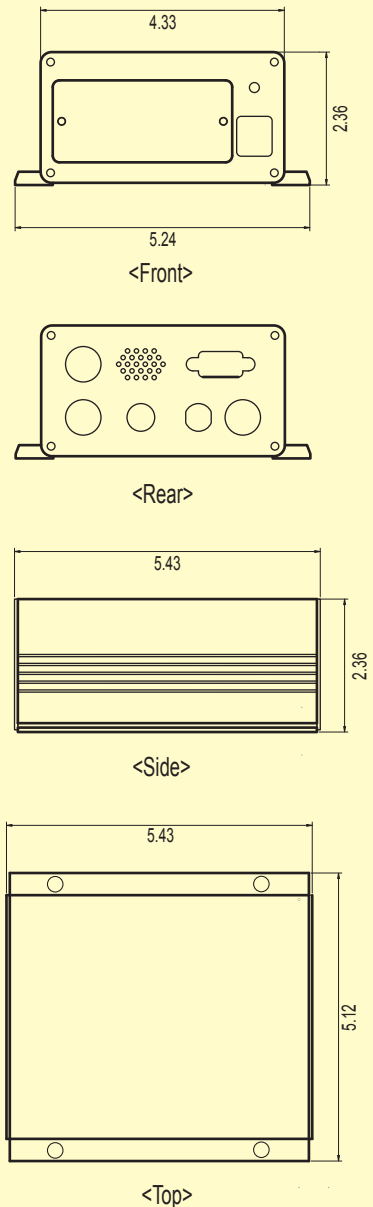
Interconnection Diagram



GPS RECEIVER SPECIFICATION

1. Receive Frequency
1575.42MHZ, C/A code L1
283.5~325.0 kHz (DGPS)
2. Number of Channel
18 channels
3. Accuracy
GPS : 10m 2D RMS (HDOP<2) (S/A off)
DGPS : 3m 2D RMS (HDOP<2) (S/A off)
4. Data Update Speed
50, 100, 200 bps (DGPS)
5. Data Update Rate
1 Second

Display Unit



*SPECIFICATIONS SUBJECT TO CHANGE WITHOUT NOTICE

Certified to ISO 9001/2000

Haiyang OLIX CO., LTD.
103-903 Bucheon Technopark 364 Samcheongdong Ojeonggu
Bucheon Gyeonggi, Korea
Tel : +82 2 3240381 Fax: +82 32 3274713
Web-site: <http://www.haiyang.co.kr>
E-mail: sales@haiyang.co.kr

04723H Printed in Korea